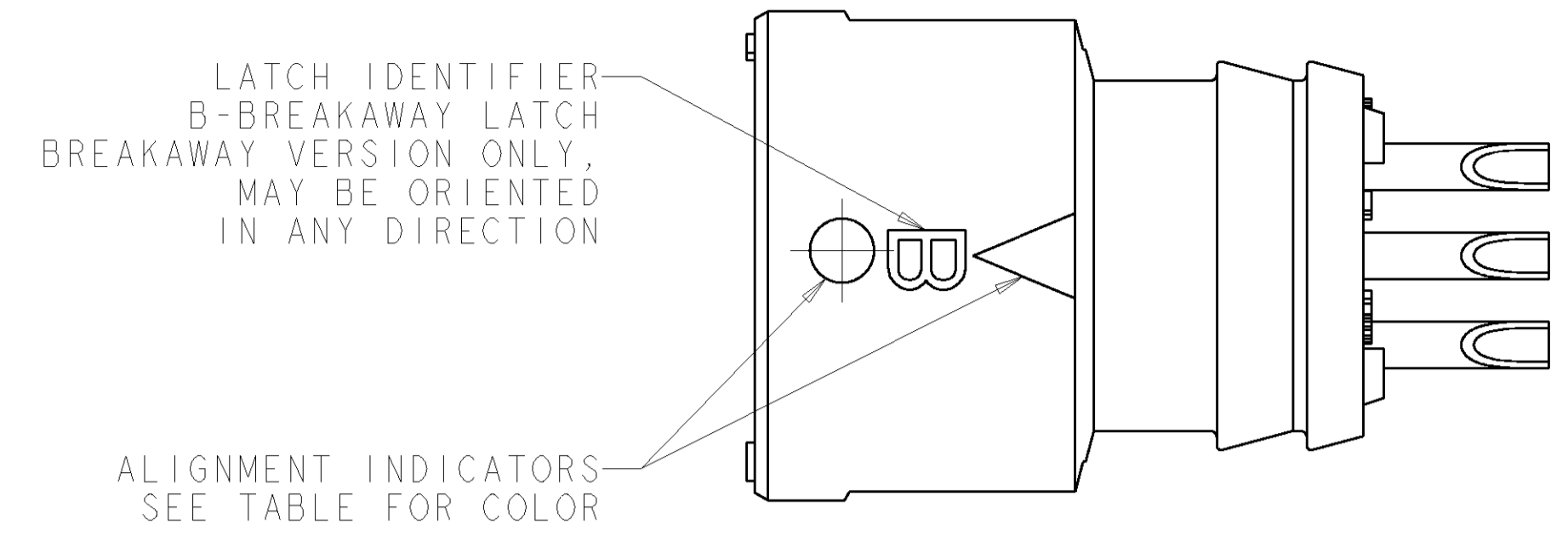
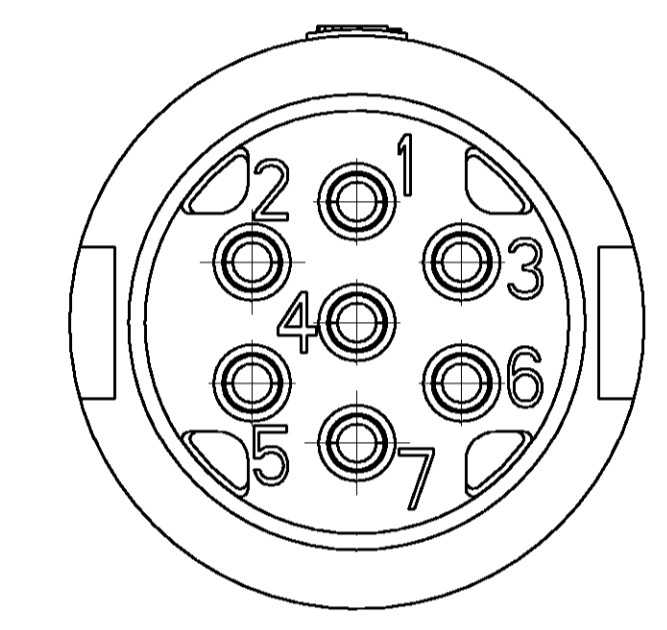
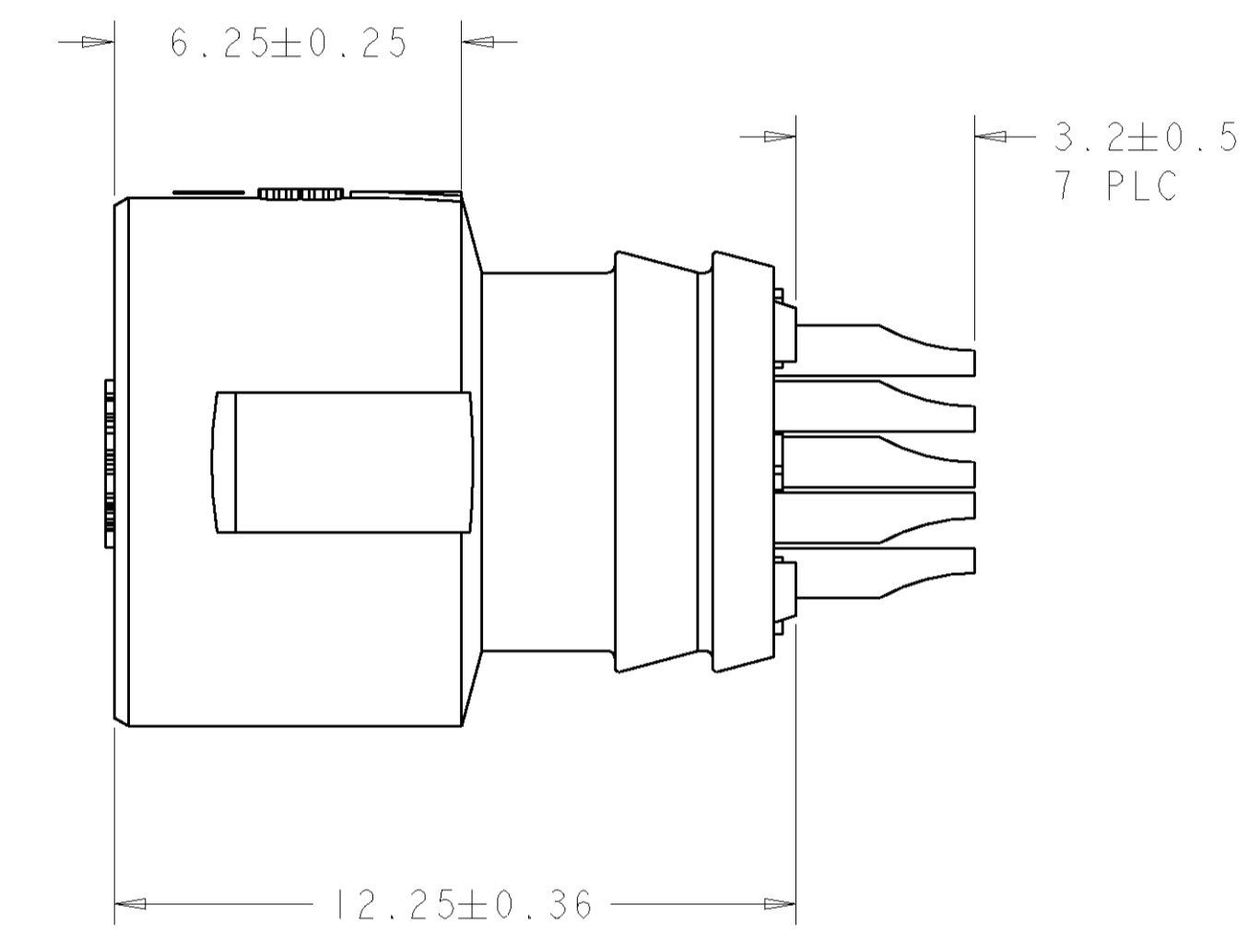
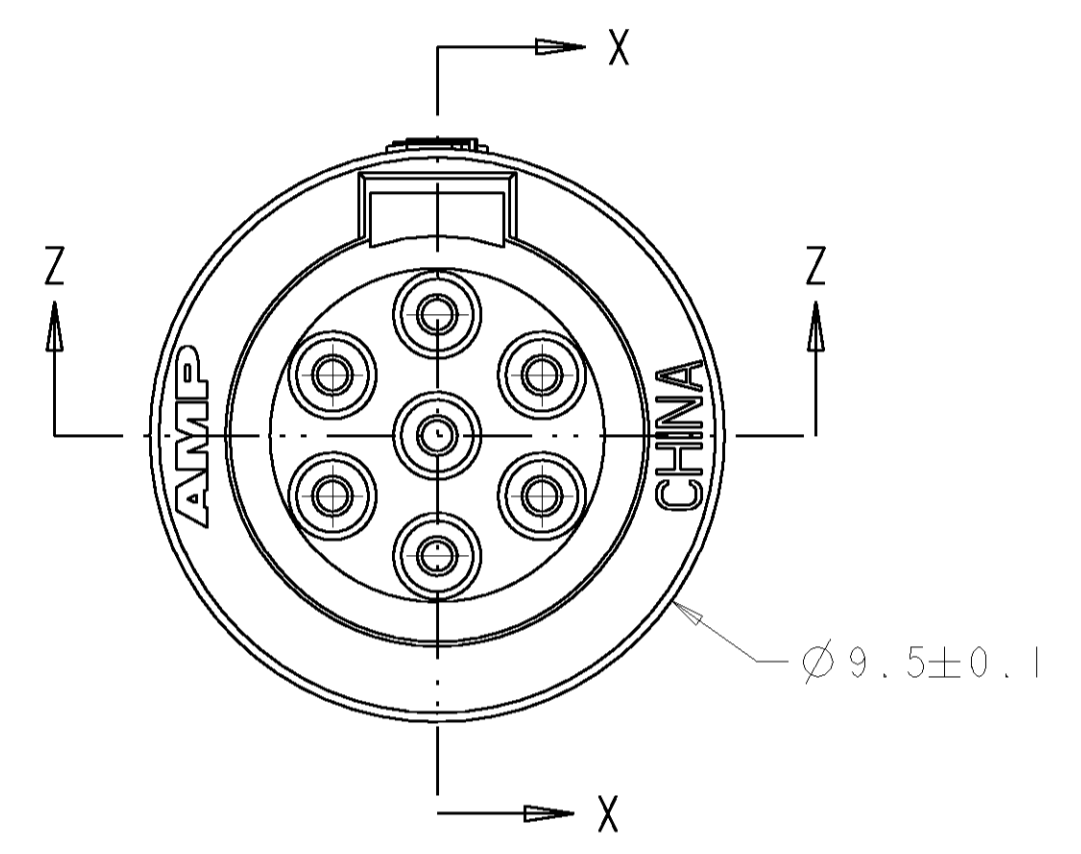
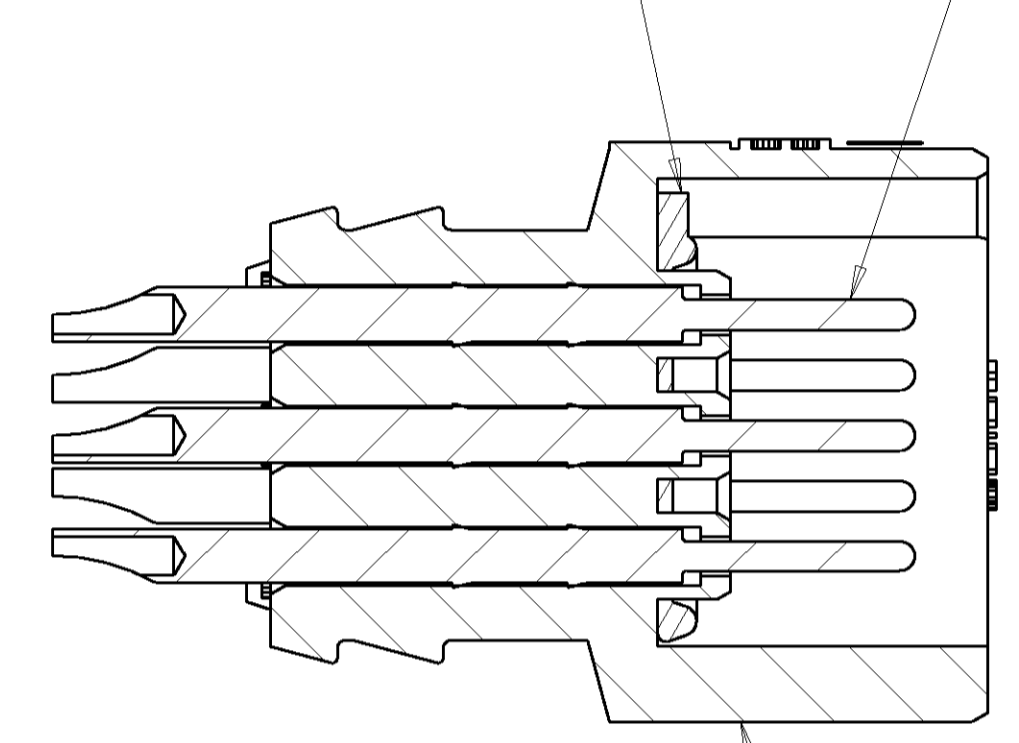


LOC		DIST		REVISONS			
FT	0	P	LTR	DESCRIPTION	DATE	DWN	APVD
		A		RELEASED EC 0638-0570-04	28JUL2004	SW	HW



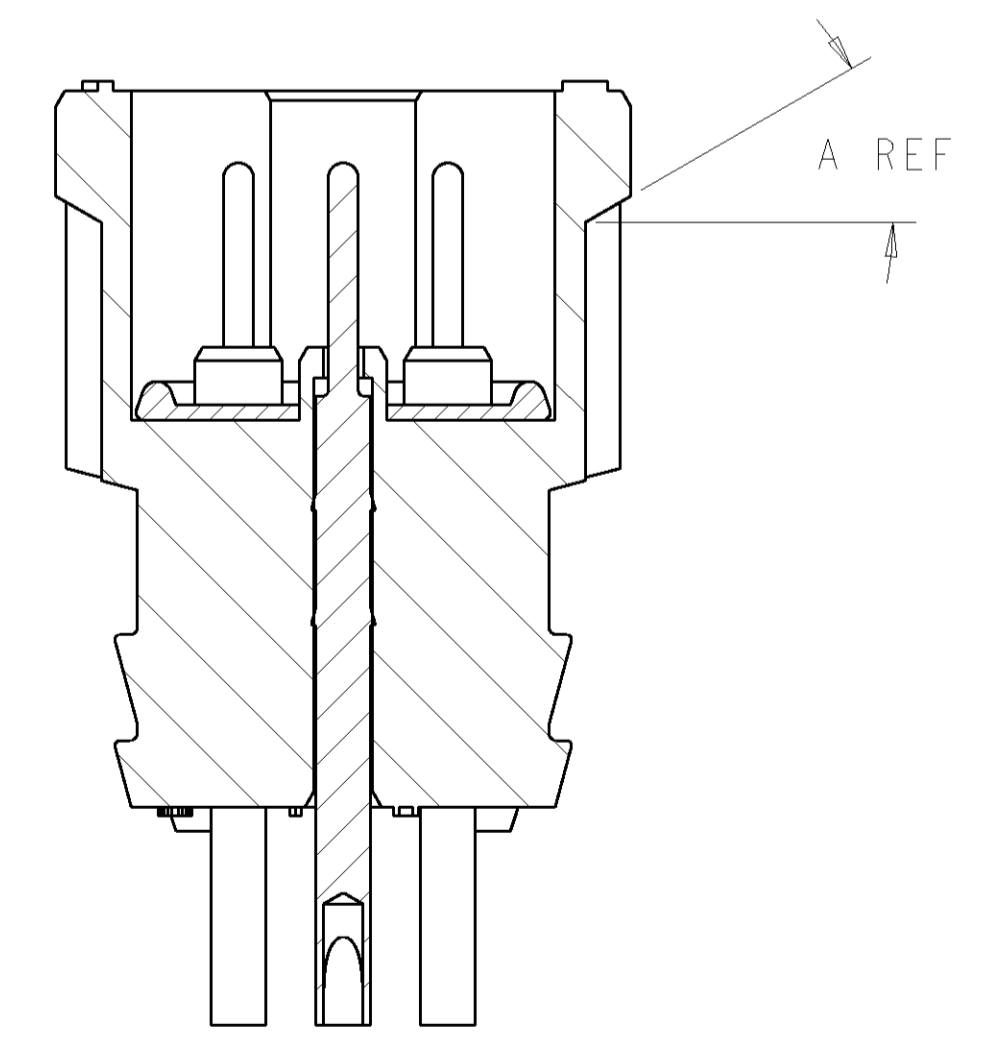
SEAL, INTERFACIAL, QTY-1
 MATERIAL: SILICONE, COLOR-RED

CONTACT, PIN, SOLDER CUP, QTY-7
 MATERIAL: BRASS
 FINISH: GOLD OVER NICKEL
 SEE VIEW Y FOR SOLDER CUP ORIENTATION

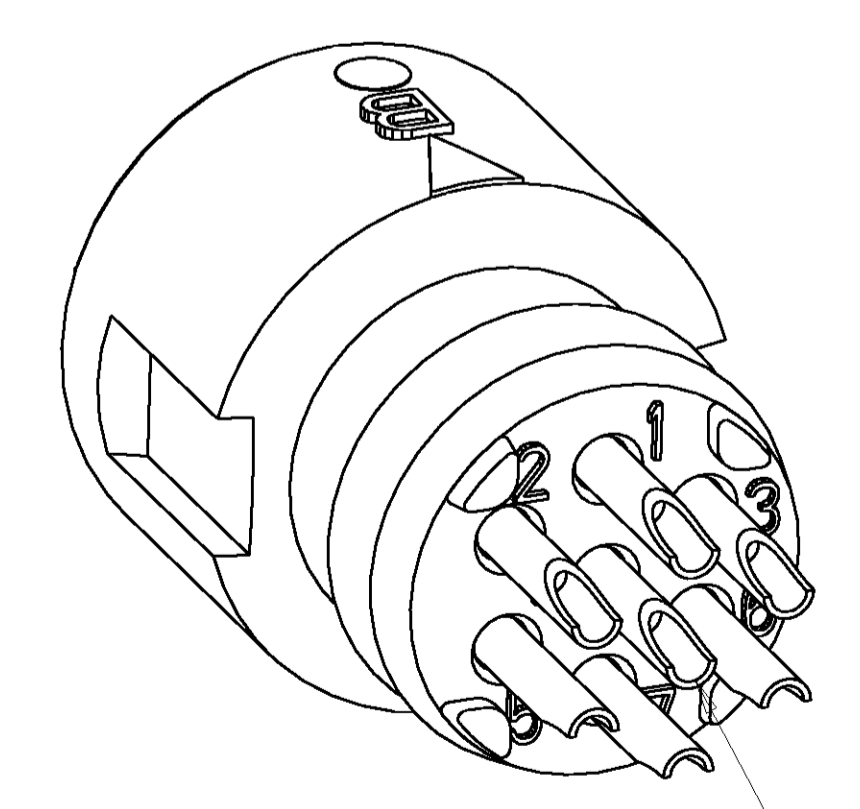


HOUSING, QTY-1
 MATERIAL: THERMOPLASTIC, COLOR-SEE TABLE

SECTION X-X



SECTION Z-Z



VIEW Y

SOLDER TERMINATION AREA OF CONTACT IN
 CIRCUIT #4 MAY BE ORIENTED UP OR DOWN

HOUSING COLOR	INDICATOR COLOR	CONTACT CIRCUITS	LATCH	A REF	PART NUMBER
WHITE	WHITE	1, 7	BREAKAWAY	30°	1-1445641-2
BLACK	WHITE	1, 7	POSITIVE	0°	1-1445641-1
WHITE	WHITE	2, 3, 7	BREAKAWAY	30°	1-1445641-0
BLACK	WHITE	2, 3, 7	POSITIVE	0°	1445641-09
WHITE	WHITE	2, 3, 5, 6	BREAKAWAY	30°	1445641-08
BLACK	WHITE	2, 3, 5, 6	POSITIVE	0°	1445641-07
WHITE	WHITE	2, 3, 4, 5, 6	BREAKAWAY	30°	1445641-06
BLACK	WHITE	2, 3, 4, 5, 6	POSITIVE	0°	1445641-05
WHITE	WHITE	1, 2, 3, 5, 6, 7	BREAKAWAY	30°	1445641-04
BLACK	WHITE	1, 2, 3, 5, 6, 7	POSITIVE	0°	1445641-03
WHITE	WHITE	ALL	BREAKAWAY	30°	1445641-02
BLACK	WHITE	ALL	POSITIVE	0°	1445641-01

DIMENSIONS:		TOLERANCES UNLESS OTHERWISE SPECIFIED:		DWN SHANE WIEST 19JUN2001		Tyco Electronics	
mm		0 PLC ±		ENR G DOUTY 19JUN2001		Harrisburg, PA 17105-3608	
Ø		1 PLC ±0.13		APVD G DOUTY 19JUN2001		NAME	
MATERIAL SEE CALLOUT		FINISH SEE CALLOUT		PRODUCT SPEC		ASSEMBLY, RECEPTACLE, 7 POSITION, SOLDER CUP, MICRO CPC	
				APPLICATION SPEC		SIZE CAGE CODE DRAWING NO RESTRICTED TO	
				WEIGHT		A 00779 C=1445641	
				CUSTOMER DRAWING		SCALE 8:1 SHEET 1 OF 1 REV A	